

NSI6DG9100

SAMSUNG

Bespoke Smart Slide-In Induction Range 6.3 cu. ft.
with Anti-Scratch Glass Cooktop



Features

- Anti-Scratch Matte Glass Cooktop
- 2.25" LCD
- Dual Noise Cancellation
- Self & Steam Clean
- Storage Drawer

Convenience

- Wi-Fi Connectivity
- Voice-Enabled
- Self & Steam Clean
- Hidden Bake Element
- Child Safety Lock
- Delay Start
- Auto Oven Light
- Kitchen Timer
- Sabbath Mode

Specifications

Induction Cooktop

- Right Front: 11" 2,400W, Boost 4,300W
- Left Front: 7" 1,800W, Boost 2,300W (Sync)
- Right Rear: 6" 1,200W, Boost 2,000W
- Left Rear: 7" 1,800W, Boost 2,300W (Sync)

Oven

- Capacity: 6.3 cu. ft.
- Bake
- Variable Broil: Low/High
- Keep Warm
- Bread Proof

Available Colors



Matte Black Steel
NSI6DG9100MT

Dimensions

Oven Interior Dimensions (WxHxD)

Dimensions: 24^{13/16}" x 22^{7/16}" x 19^{3/4}"

Product Dimensions (WxHxD)

Dimensions: 29^{15/16}" x 36^{1/4}" - 37" (Adj.) x 27^{7/8}"
Weight: 171.5 lbs

Shipping Dimensions & Weight (WxHxD)

Dimensions: 33^{1/16}" x 41^{1/8}" x 30^{5/16}"
Weight: 191.6 lbs

Warranty

One (1) Year Parts and Labor

UPC

Finish	Model #	UPC Code
Stainless Steel	NSI6DG9100SR	887276816166
Matte Black Steel	NSI6DG9100MT	887276816159

Rating



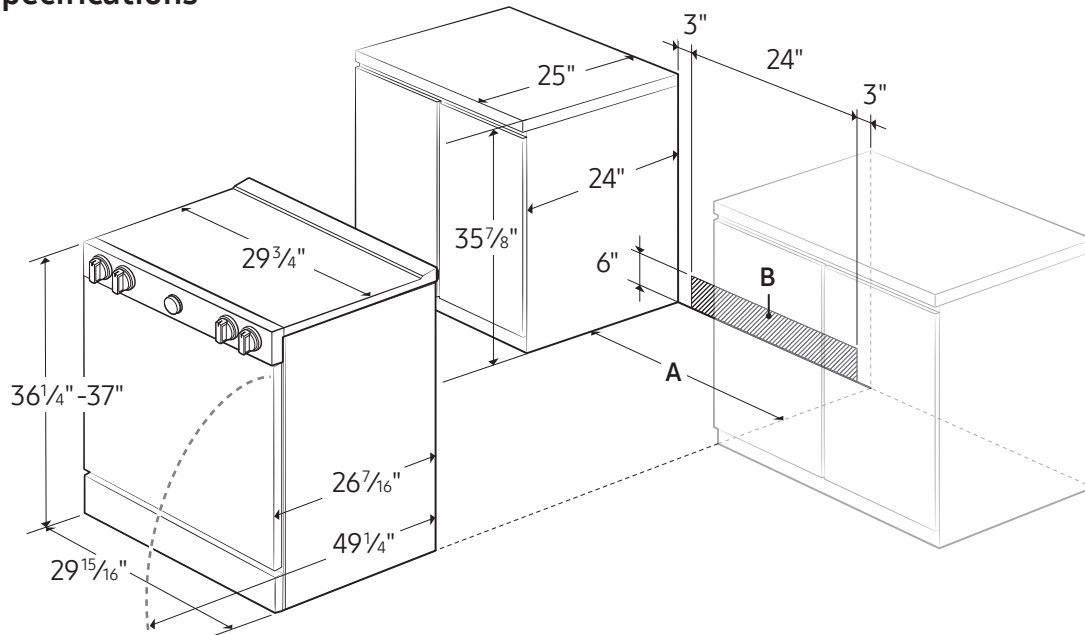
ENERGY STAR® Rated:
189 kWh/yr

NSI6DG9100

SAMSUNG

Bespoke Smart Slide-In Induction Range 6.3 cu. ft. with Anti-Scratch Glass Cooktop

Installation Specifications



Electrical Requirements

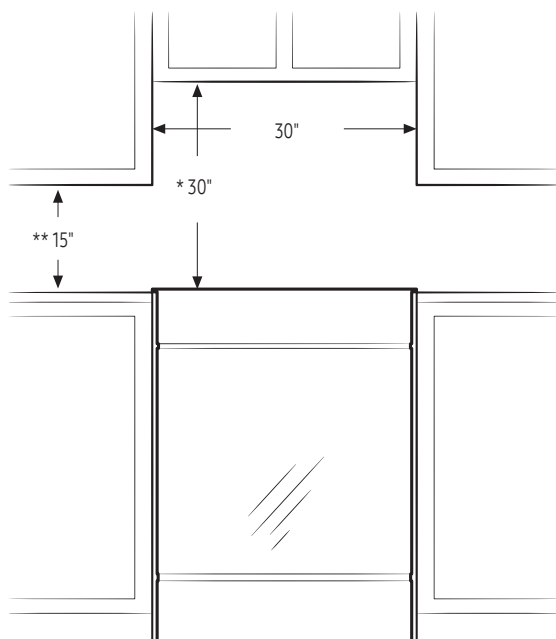
240V/208V/60 Hz

40 Amps

A: Cabinet opening min 30"

B: Acceptable electrical outlet area

IMPORTANT: If your cabinets are over 37" high, you must install this range on a hard, heat resistant support that raises the surface of the range so that it is about even with the countertop.



* 30" minimum clearance between the top of the cooking surface and the bottom of an unprotected wood or metal cabinet; or 24" minimum when the bottom of the wood or metal cabinet is protected by not less than 1/4" of flame retardant millboard covered with not less than no.28 MSG sheet steel, 0.015" stainless steel, 0.024" aluminum, or 0.020" copper.

**15" minimum between the countertop and the adjacent cabinet bottom.

IMPORTANT: Consult with Installation Manual for detailed instructions before installing. All ranges must be installed with the Anti-Tip device that is included.

