

NSE6D*8700

SAMSUNG

Bespoke Smart Slide-In Electric Range 6.3 cu. ft. with Smart Oven Camera & Illuminated Precision Knobs



Available Colors



Features

- Smart Oven Camera
- Illuminated Precision Knobs
- Air Sous Vide
- Air Fry, Tray Included
- Convection Vegetable
- Convection+
- 2.25" LCD
- Self & Steam Clean
- Temperature Probe
- Storage Drawer

Convenience

- Wi-Fi Connectivity
- Voice-Enabled
- Convection Auto Conversion
- Self & Steam Clean
- Hidden Bake Element
- Child Safety Lock
- Delay Start
- Auto Oven Light
- Kitchen Timer
- Sabbath Mode

Specifications

Electric Ceramic Cooktop

- Right Front: 6"/9"/12" 3,000W
- Left Front: 6"/9" 3,600W Express Boil
- Right Rear: 6" 1,200W
- Left Rear: 6" 1,200W
- Center: 6" Warming Zone (100W)

Oven

- Capacity: 6.3 cu. ft.
- Convection Element/Heater
- Convection Bake
- Convection Roast
- Convection Vegetable
- Bake
- Variable Broil: Low/High
- Air Fry
- Air Sous Vide
- Keep Warm
- Bread Proof
- Dehydrate

Downloadable Oven Modes

- Turkey
- Spare Rib
- Pizza & Naan
- Seafood
- Brownie

Dimensions

Oven Interior Dimensions (WxHxD)
Dimensions: 24¹³/₁₆" x 22⁷/₁₆" x 19³/₄"

Product Dimensions (WxHxD)
Dimensions: 29¹⁵/₁₆" x 36¹/₄" - 37" (Adj.) x 27⁷/₈"
Weight: 170.2 lbs

Shipping Dimensions & Weight (WxHxD)
Dimensions: 33¹/₁₆" x 41¹/₈" x 30⁵/₁₆"
Weight: 189.8 lbs

Warranty

One (1) Year Parts and Labor

UPC

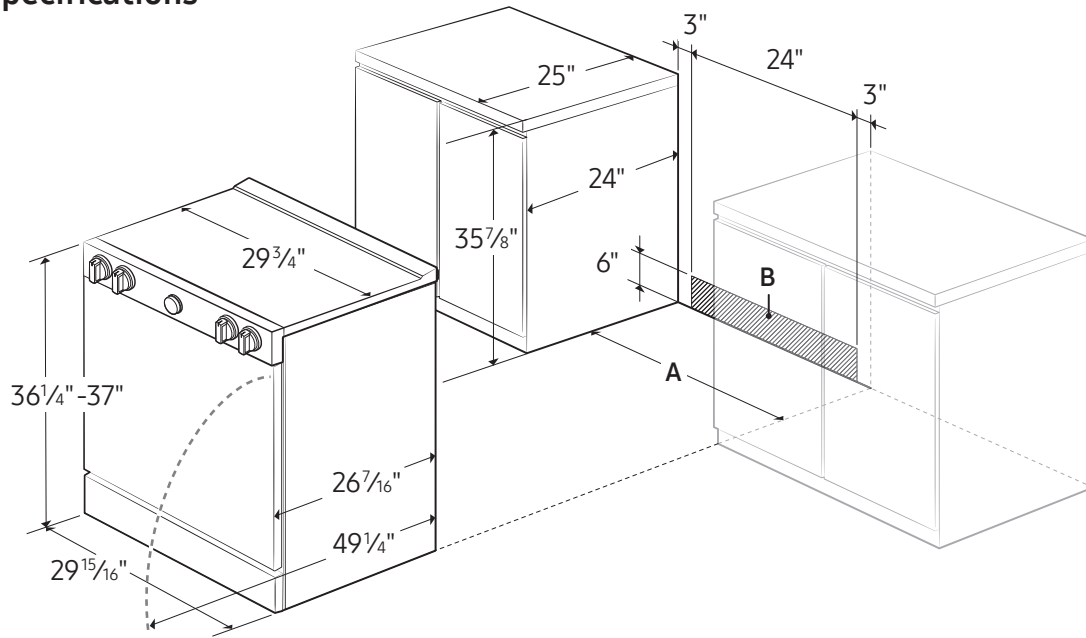
Finish	Model #	UPC Code
Stainless Steel	NSE6DG8700SR	887276817323
White Glass	NSE6DB870012	887276817255

NSE6D*8700

SAMSUNG

Bespoke Smart Slide-In Electric Range 6.3 cu. ft. with Smart Oven Camera & Illuminated Precision Knobs

Installation Specifications



Electrical Requirements

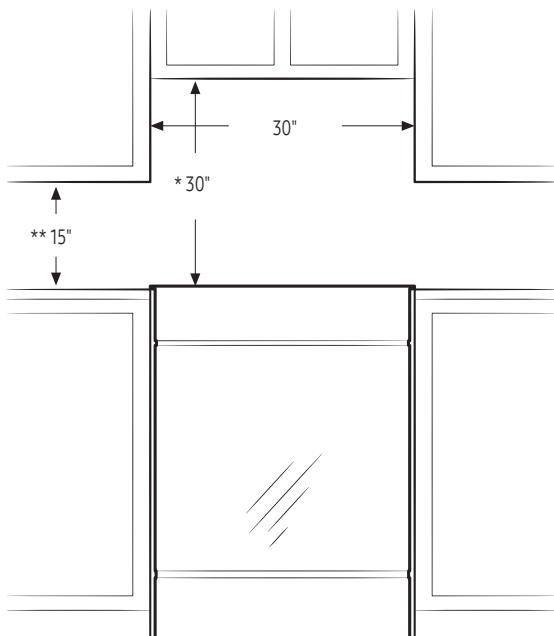
240V/208V/60 Hz

40 Amps

A: Cabinet opening minimum 30"

B: Acceptable electrical outlet area

IMPORTANT: If your cabinets are over 37" high, you must install this range on a hard, heat resistant support that raises the surface of the range so that it is about even with the countertop.



* 30" minimum clearance between the top of the cooking surface and the bottom of an unprotected wood or metal cabinet; or 24" minimum when the bottom of the wood or metal cabinet is protected by not less than 1/4" of flame retardant millboard covered with not less than no.28 MSG sheet steel, 0.015" stainless steel, 0.024" aluminum, or 0.020" copper.

**15" minimum between the countertop and the adjacent cabinet bottom.

IMPORTANT: Consult with Installation Manual for detailed instructions before installing. All ranges must be installed with the Anti-Tip device that is included.

